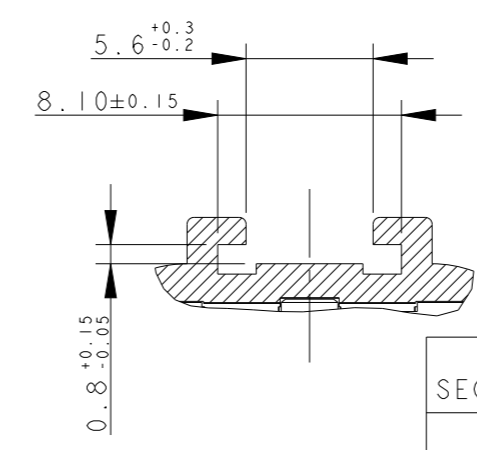
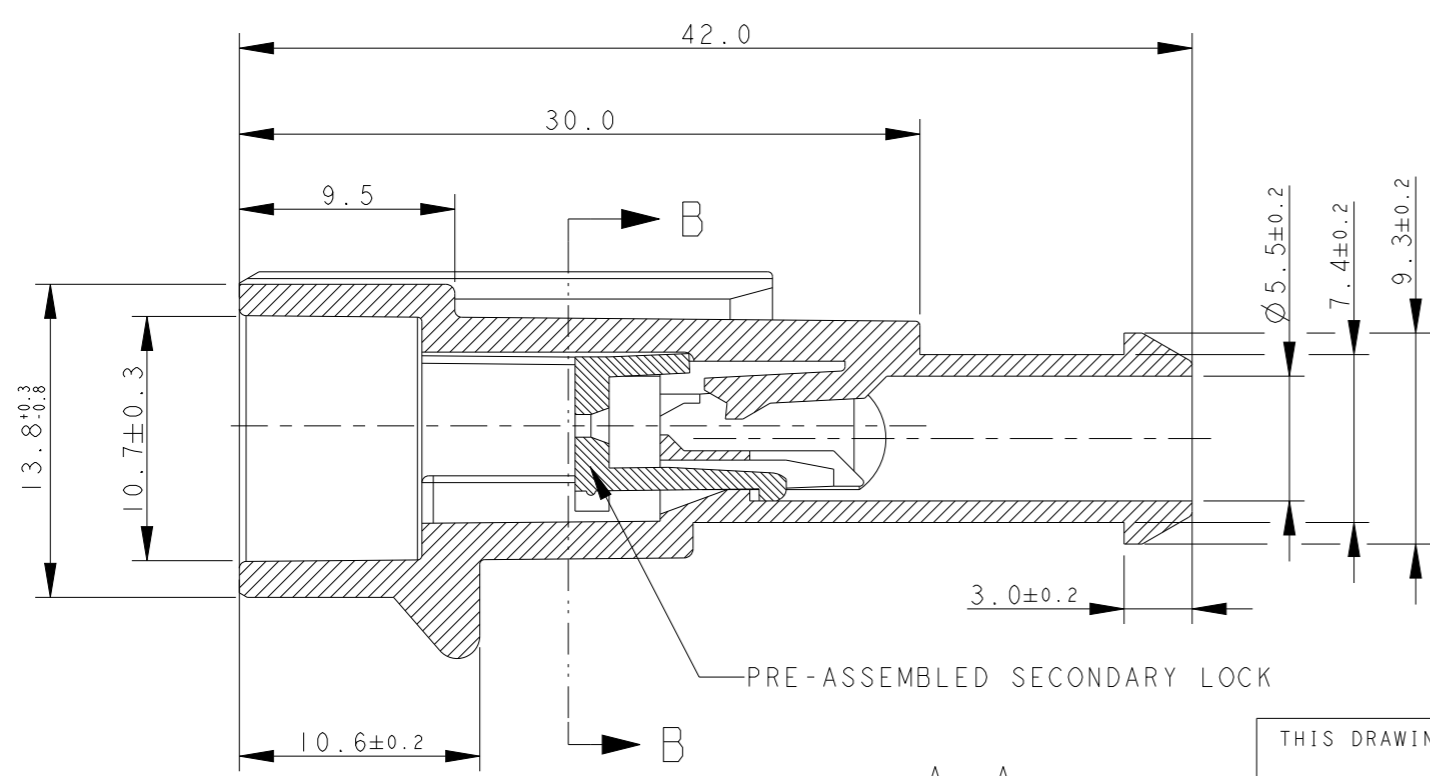
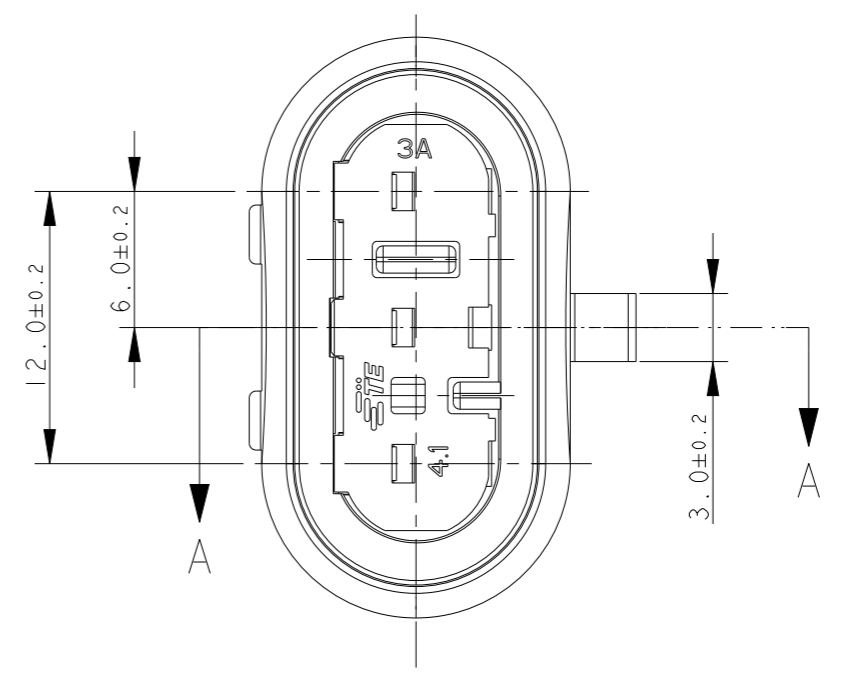
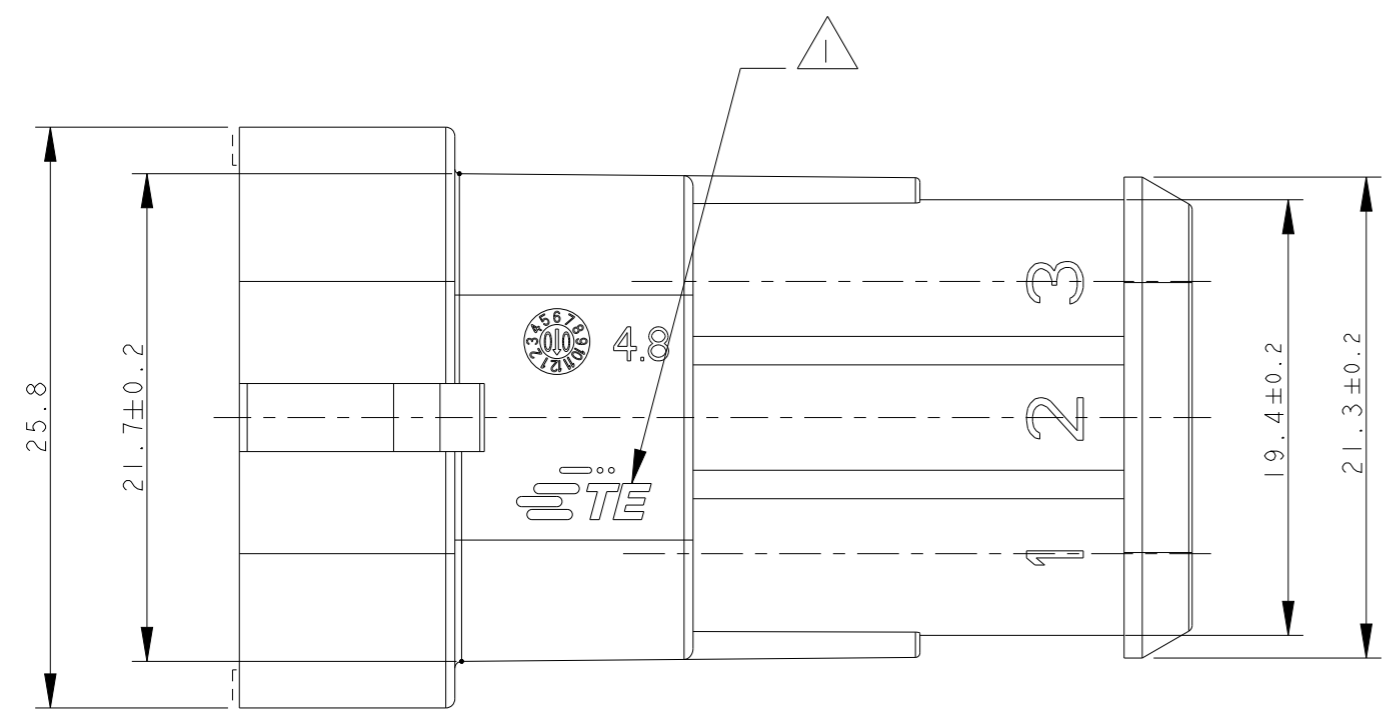


THIS DRAWING IS UNPUBLISHED. RELEASED FOR PUBLICATION 2009
 © COPYRIGHT 2009 BY - ALL RIGHTS RESERVED.


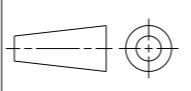
P	LTR	DESCRIPTION	DATE	DWN	APVD
	B3	REVISED (ECO-17-009774)	06SEP2017	M.G.	M.G.
	B4	REVISED PER ECO-20-002019	12FEB2020	AP	VN
	B5	REVISED PER ECN-21-110072	21JUL2021	AP	VN



HSG: WHITE SEC. LOCK: WHITE	PA66-GF UL94-V2 ACC. TO IEC 60335-1	A	1745082-1
HSG: BROWN SEC. LOCK: RED	PA66-GF	B	4-282105-1
HSG: GRAY SEC. LOCK: RED	PA66-GF	B	282105-2
HSG: BLACK SEC. LOCK: RED	PA66-GF	B	282105-1
FINISH/COLOR	MATERIAL	REV	PART NUMBER

TE CONNECTIVITY TRADE MARK,
 (IN ALTERNATIVE: "AMP" LOGO, OR "Tyco Electronics" LOGO)

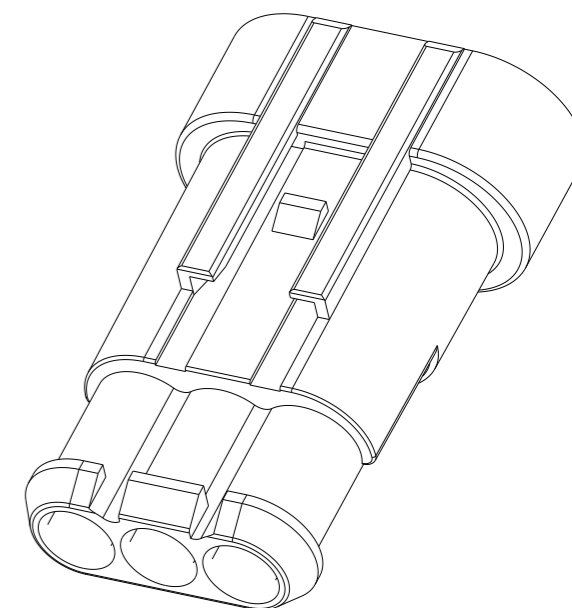
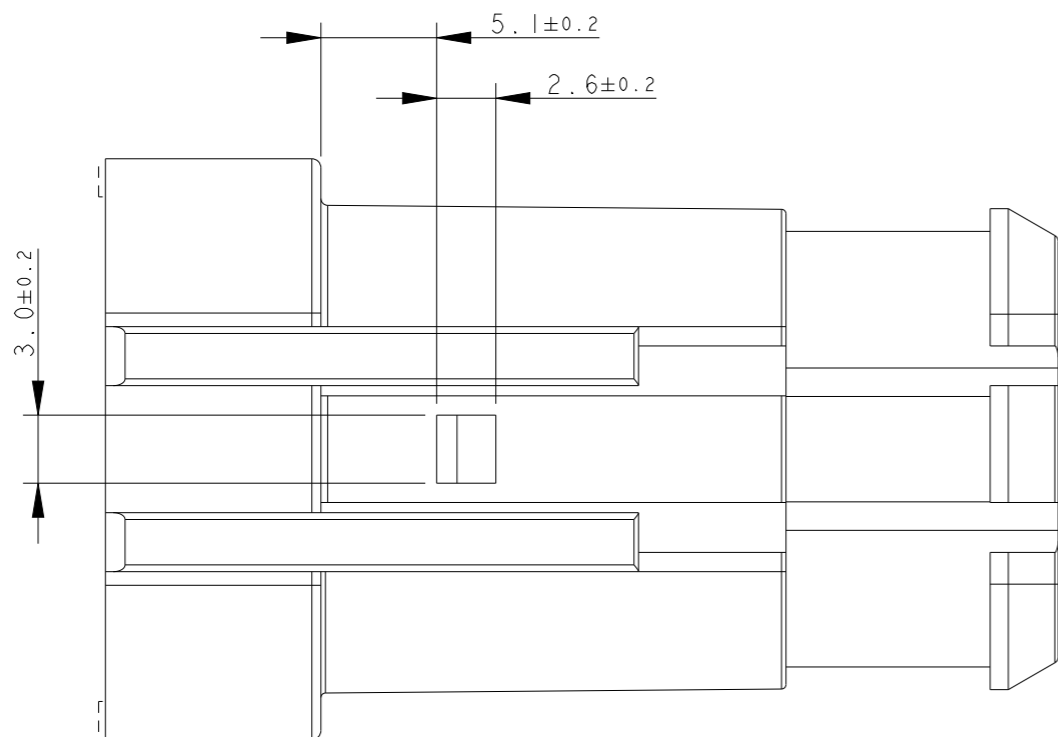
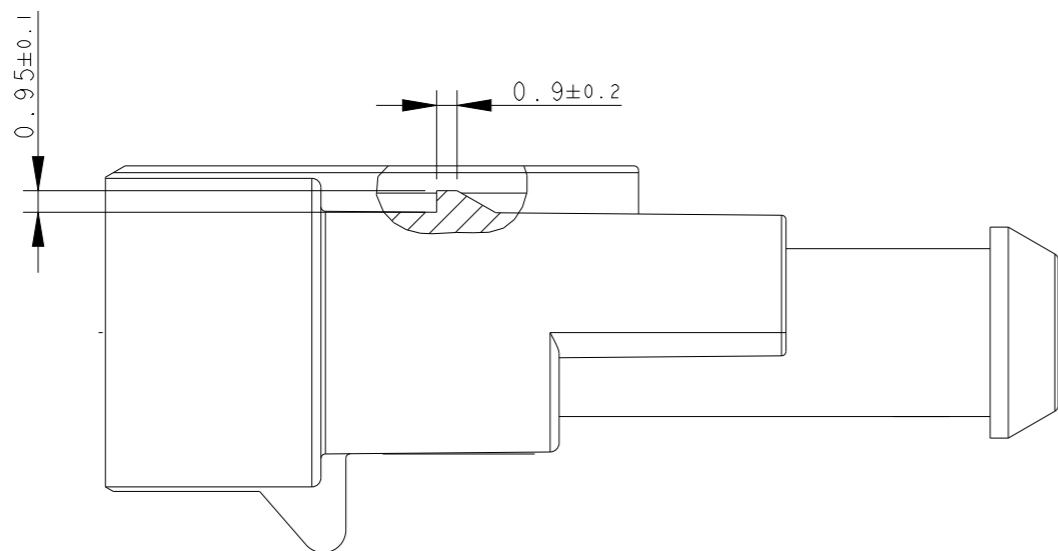
THIS DRAWING IS A CONTROLLED DOCUMENT.

DWN C. BERTINI 02-1990	 TE Connectivity NAME AMP SUPERSEAL 1.5 SRS. CONNECTORS 3 POSITIONS TAB ASS'Y
CHK A. BRUNI 02-1990	
APVD -	
PRODUCT SPEC 108-20090	
MATERIAL SEE TABLE	APPLICATION SPEC 412-20000 WEIGHT 5.14g CUSTOMER DRAWING
DIMENSIONS: mm 	TOLERANCES UNLESS OTHERWISE SPECIFIED: 0 PLC ± 1 PLC ± 0.3 2 PLC ± 3 PLC ± 4 PLC ± ANGLES ± 2° FINISH -
SCALE 3:1 SHEET 1 OF 2 REV B5	

REVISIONS

P	LTR	DESCRIPTION	DATE	DWN	APVD
-	-	SEE SHEET 1	-	-	-

REFER SHEET 1 FOR MISSING DIMENSIONS



4-282105-1 AS SHOWN

THIS DRAWING IS A CONTROLLED DOCUMENT.

DWN C. BERTINI 02-1990

CHK A. BRUNI 02-1990

APVD -

PRODUCT SPEC 108-20090

APPLICATION SPEC 412-20000

WEIGHT 5.14g

CUSTOMER DRAWING



TE Connectivity

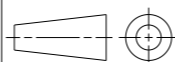
NAME AMP SUPERSEAL 1.5 SRS. CONNECTORS 3 POSITIONS TAB ASS'Y

SIZE CAGE CODE DRAWING NO RESTRICTED TO

A300779 C-282105

SCALE 3:1 SHEET 2 OF 2 REV B5

DIMENSIONS: mm



TOLERANCES UNLESS OTHERWISE SPECIFIED:

- 0 PLC ±-
- 1 PLC ± 0.3
- 2 PLC ±-
- 3 PLC ±-
- 4 PLC ±-
- ANGLES ± 2°

MATERIAL SEE TABLE

FINISH SEE TABLE

Mouser Electronics

Authorized Distributor

Click to View Pricing, Inventory, Delivery & Lifecycle Information:

[TE Connectivity:](#)

[282105-1](#)